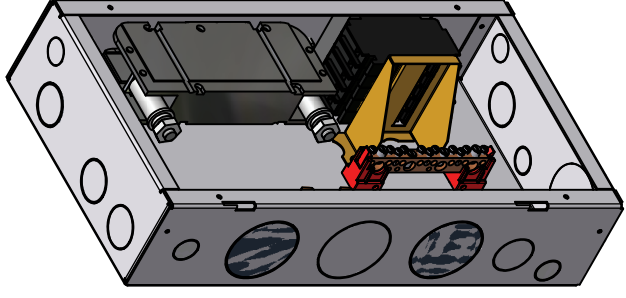
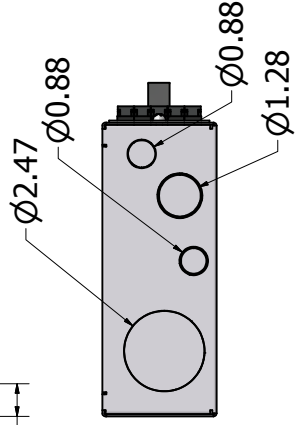
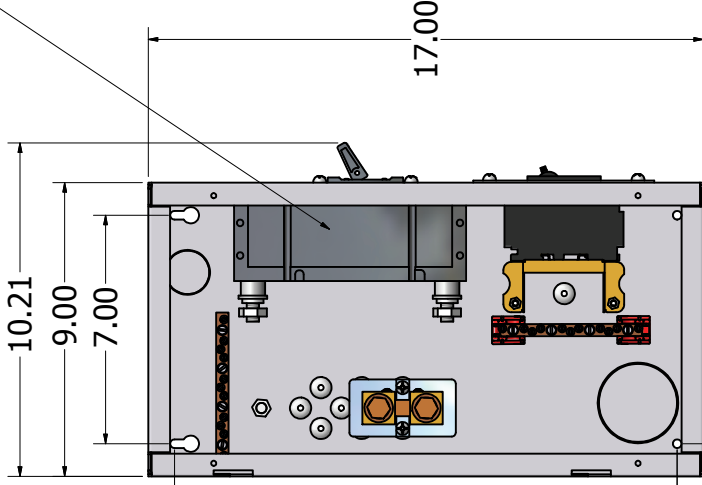
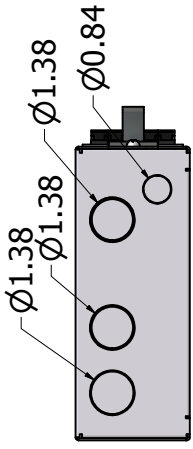
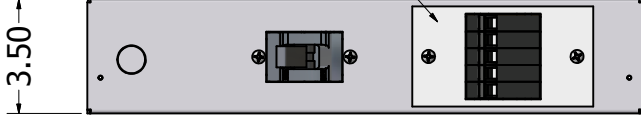


125, 175 OR 250 AMP/125VDC BREAKER



BREAKER COVER

1. MNDC125, 175, 250
2. COVER NOT SHOWN FOR CLARITY
3. OPTIONAL ITEMS SHOWN: MNTBB-R RED INSULATED TERMINAL BUSBAR, 500 AMP SHUNT
- ENCLOSURE IS WHITE POWDER COATED ALUMINUM
4. BREAKER COVERS SUPPLIED FOR 5 DIN RAIL OR 3 PANEL MOUNT BREAKERS
5. DIMENSIONS IN INCHES
6. REVERSE ALL INTERNAL COMPONENTS FOR LEFT HAND VERSIONS.



DRAWN Robin Gudgel	12/29/2011	MIDNITE SOLAR
CHECKED		TITLE
QA		
MFG		MNDC250
APPROVED		
	SIZE C	DWG NO MNDC250 Dims
	SCALE	REV NEW
		SHEET 1 OF 1